



## VARTA BLUE dynamic EFB

### Vehicle Key Benefits



Ready for entry-level start-stop systems



Engineered to the highest German standards



Patented PowerFrame® grid for reliable starting power, fast recharge and corrosion resistance.



Meets all original criteria of the car manufacturer

For more information visit [varta-automotive.com](http://varta-automotive.com)

### ORDER INFORMATION

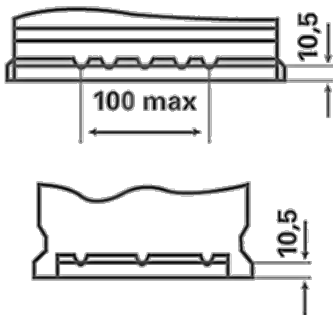
European Type No. (ETN):	550500055
Article Number:	550500055D842
Short Code:	N50
Barcode:	4016987165553
UK Code:	012EFB
Packaging Unit:	1
Quantity per Pallet:	63

### TECHNICAL INFORMATION

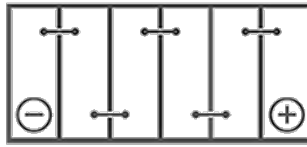
Voltage [V]:	12	Base Hold-down:	B13
Battery Capacity [Ah]:	50	Layout:	0
CCA, EN [A]:	550	Terminal Types:	1
Length [mm]:	207	Case Size:	H4/LN1
Width [mm]:	175	Weight filled (kg):	
Height [mm]:	190		

# DRAWINGS

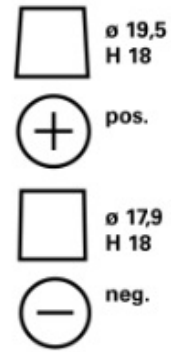
**B13**



**0**



**1**



**3**

